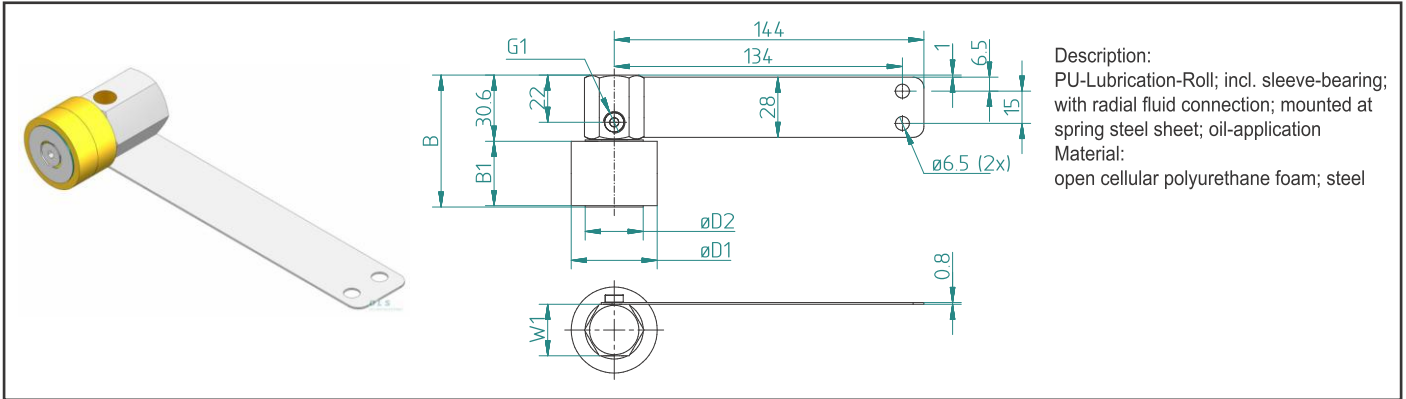


9.1 PU-Lubrication-Roll for oil, single-sided



B1	B	D1	D2	W1	G1	Artikel-Nr.
						Part-No.
20	51,4	30	27	24	M10x1 10mm tief deep	137-020-303
20	51,4	40	27	24	M10x1 10mm tief deep	137-020-403
20	51,4	60	45	24	M10x1 10mm tief deep	137-020-603
24	55,4	30	27	24	M10x1 10mm tief deep	137-024-303
24	55,4	40	27	24	M10x1 10mm tief deep	137-024-403
24	55,4	60	45	24	M10x1 10mm tief deep	137-024-603
30	61,4	30	27	24	M10x1 10mm tief deep	137-030-303
30	61,4	40	27	24	M10x1 10mm tief deep	137-030-403
30	61,4	60	45	24	M10x1 10mm tief deep	137-030-603
40	71,4	30	27	24	M10x1 10mm tief deep	137-040-303
40	71,4	40	27	24	M10x1 10mm tief deep	137-040-403
40	71,4	60	45	24	M10x1 10mm tief deep	137-040-603
45	76,4	30	27	24	M10x1 10mm tief deep	137-045-303
45	76,4	40	27	24	M10x1 10mm tief deep	137-045-403
45	76,4	60	45	24	M10x1 10mm tief deep	137-045-603
50	81,4	50	45	24	M10x1 10mm tief deep	137-050-503
50	81,4	65	45	24	M10x1 10mm tief deep	137-050-653
50	81,4	80	60	24	M10x1 10mm tief deep	137-050-803
60	91,4	50	45	24	M10x1 10mm tief deep	137-060-503
60	91,4	65	45	24	M10x1 10mm tief deep	137-060-603
60	91,4	80	60	24	M10x1 10mm tief deep	137-060-803
70	101,4	50	45	24	M10x1 10mm tief deep	137-070-503
70	101,4	65	45	24	M10x1 10mm tief deep	137-070-653
70	101,4	80	60	24	M10x1 10mm tief deep	137-070-803
80	111,4	50	45	24	M10x1 10mm tief deep	137-080-503
80	111,4	65	45	24	M10x1 10mm tief deep	137-080-653
80	111,4	80	60	24	M10x1 10mm tief deep	137-080-803

Notes:

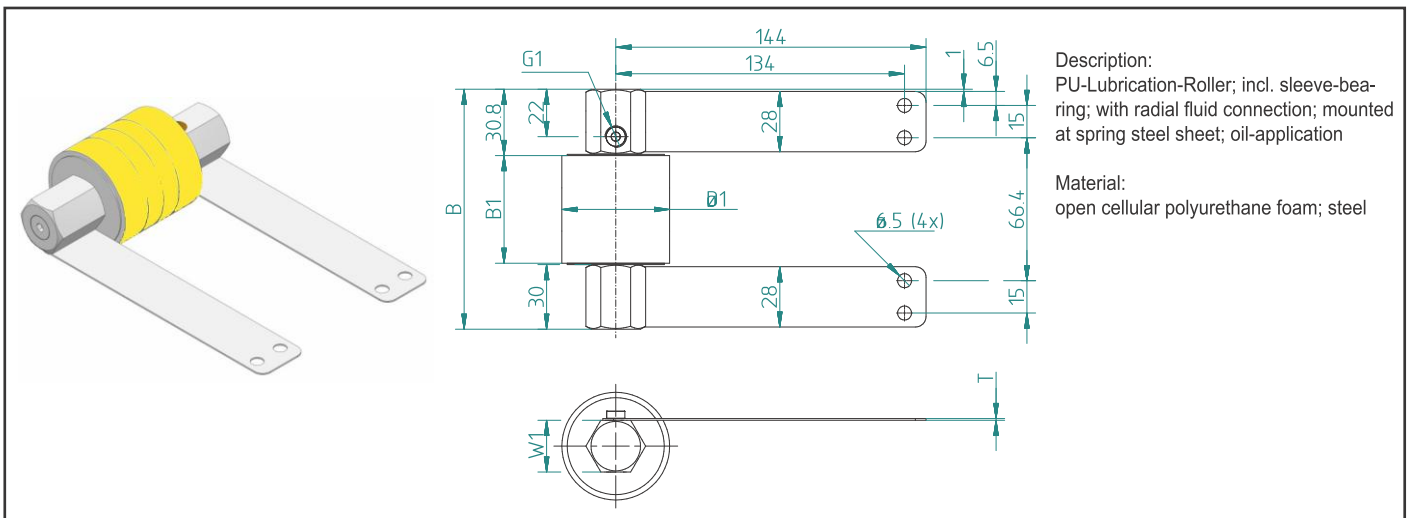
PU-Lubrication-Roll with spring steel sheet need to be pre-loaded.
Initial operation: PU-Pinions has to be pre-filled with lubricant.

Suitable Tube Connectors for your lubrication system - with and without
function - find them on page 26.

On demand: Special design - all parameters dispoable!



9.2 PU-Lubrication-Roll for oil, two-sided



B1	B	D1	W1	G1	T	Artikel-Nr.
						Part-No.
50	111,4	50	24	M10x1 10mm tief deep	0,8	137-050-504
50	111,4	65	24	M10x1 10mm tief deep	0,8	137-050-654
50	111,4	80	24	M10x1 10mm tief deep	0,8	137-050-804
60	121,4	50	24	M10x1 10mm tief deep	0,8	137-060-504
60	121,4	65	24	M10x1 10mm tief deep	0,8	137-060-804
60	121,4	80	24	M10x1 10mm tief deep	0,8	137-060-804
70	131,4	50	24	M10x1 10mm tief deep	0,8	137-070-504
70	131,4	65	24	M10x1 10mm tief deep	0,8	137-070-654
70	131,4	80	24	M10x1 10mm tief deep	0,8	137-070-804
80	141,4	50	24	M10x1 10mm tief deep	0,8	137-080-504
80	141,4	65	24	M10x1 10mm tief deep	0,8	137-080-654
80	141,4	80	24	M10x1 10mm tief deep	0,8	137-080-804
90	151,4	50	24	M10x1 10mm tief deep	0,8	137-090-504
90	151,4	65	24	M10x1 10mm tief deep	0,8	137-090-654
90	151,4	80	24	M10x1 10mm tief deep	0,8	137-090-804
100	161,4	50	24	M10x1 10mm tief deep	0,8 / 1,6	137-100-504
100	161,4	65	24	M10x1 10mm tief deep	0,8 / 1,6	137-100-654
100	161,4	80	24	M10x1 10mm tief deep	0,8 / 1,6	137-100-804
110	171,4	50	24	M10x1 10mm tief deep	0,8 / 1,6	137-110-504
110	171,4	65	24	M10x1 10mm tief deep	0,8 / 1,6	137-110-654
110	171,4	80	24	M10x1 10mm tief deep	0,8 / 1,6	137-110-804
120	181,4	50	24	M10x1 10mm tief deep	0,8 / 1,6	137-120-504
120	181,4	65	24	M10x1 10mm tief deep	0,8 / 1,6	137-120-654
120	181,4	80	24	M10x1 10mm tief deep	0,8 / 1,6	137-120-804

Notes:

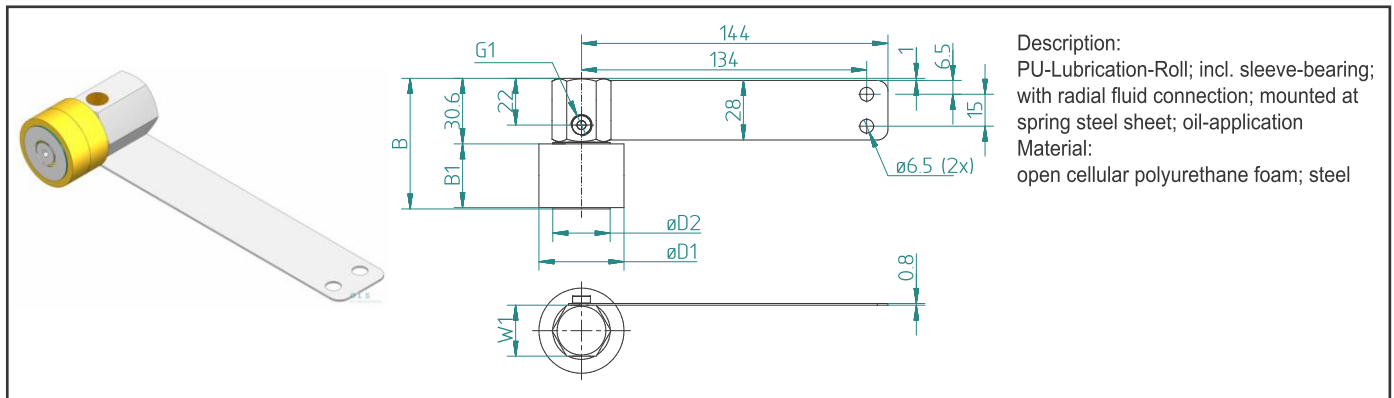
PU-Lubrication-Roll with spring steel sheet need to be pre-loaded.
Initial operation: PU-Pinions has to be pre-filled with lubricant.

Suitable Tube Connectors for your lubrication system - with and without function - find them on page 26.

On demand: Special design - all parameters disposable!



9.3 PU-Lubrication-Roll for grease, single-sided



B1	B	D1	D2	W1	G1	Artikel-Nr.
						Part-No.
20	51,4	30	27	24	M10x1 10mm tief deep	127-020-303
20	51,4	40	27	24	M10x1 10mm tief deep	127-020-403
20	51,4	60	45	24	M10x1 10mm tief deep	127-020-603
24	55,4	30	27	24	M10x1 10mm tief deep	127-024-303
24	55,4	40	27	24	M10x1 10mm tief deep	127-024-403
24	55,4	60	45	24	M10x1 10mm tief deep	127-024-603
30	61,4	30	27	24	M10x1 10mm tief deep	127-030-303
30	61,4	40	27	24	M10x1 10mm tief deep	127-030-403
30	61,4	60	45	24	M10x1 10mm tief deep	127-030-603
40	71,4	30	27	24	M10x1 10mm tief deep	127-040-303
40	71,4	40	27	24	M10x1 10mm tief deep	127-040-403
40	71,4	60	45	24	M10x1 10mm tief deep	127-040-603
45	76,4	30	27	24	M10x1 10mm tief deep	127-045-303
45	76,4	40	27	24	M10x1 10mm tief deep	127-045-403
45	76,4	60	45	24	M10x1 10mm tief deep	127-045-603
50	81,4	50	45	24	M10x1 10mm tief deep	127-050-503
50	81,4	65	45	24	M10x1 10mm tief deep	127-050-653
50	81,4	80	60	24	M10x1 10mm tief deep	127-050-803
60	91,4	50	45	24	M10x1 10mm tief deep	127-060-503
60	91,4	65	45	24	M10x1 10mm tief deep	127-060-803
60	91,4	80	60	24	M10x1 10mm tief deep	127-060-803
70	101,4	50	45	24	M10x1 10mm tief deep	127-070-503
70	101,4	65	45	24	M10x1 10mm tief deep	127-070-653
70	101,4	80	60	24	M10x1 10mm tief deep	127-070-803
80	111,4	50	45	24	M10x1 10mm tief deep	127-080-503
80	111,4	65	45	24	M10x1 10mm tief deep	127-080-653
80	111,4	80	60	24	M10x1 10mm tief deep	127-080-803

Notes:

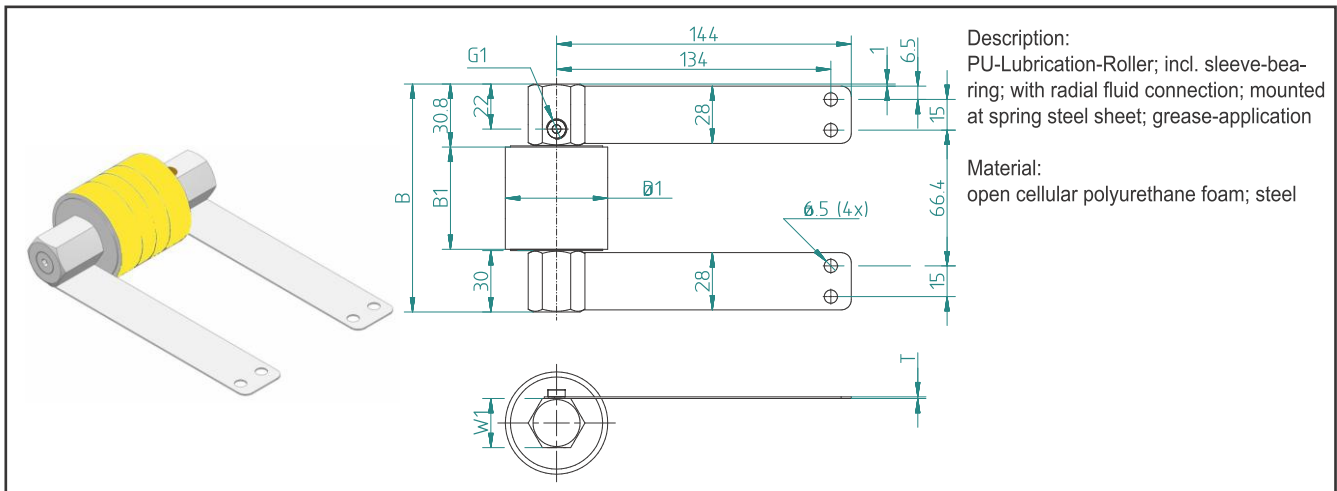
PU-Lubrication-Roll with spring steel sheet need to be pre-loaded.
Initial operation: PU-Pinions has to be pre-filled with lubricant.

Suitable Tube Connectors for your lubrication system - with and without
function - find them on page 26.

On demand: Special design - all parameters disposable!



9.4 PU-Lubrication-Roll for grease, two-sided



B1	B	D1	W1	G1	T	Artikel-Nr.
						Part-No.
50	111,4	50	24	M10x1 10mm tief deep	0,8	127-050-504
50	111,4	65	24	M10x1 10mm tief deep	0,8	127-050-654
50	111,4	80	24	M10x1 10mm tief deep	0,8	127-050-804
60	121,4	50	24	M10x1 10mm tief deep	0,8	127-060-504
60	121,4	65	24	M10x1 10mm tief deep	0,8	127-060-804
60	121,4	80	24	M10x1 10mm tief deep	0,8	127-060-804
70	131,4	50	24	M10x1 10mm tief deep	0,8	127-070-504
70	131,4	65	24	M10x1 10mm tief deep	0,8	127-070-654
70	131,4	80	24	M10x1 10mm tief deep	0,8	127-070-804
80	141,4	50	24	M10x1 10mm tief deep	0,8	127-080-504
80	141,4	65	24	M10x1 10mm tief deep	0,8	127-080-654
80	141,4	80	24	M10x1 10mm tief deep	0,8	127-080-804
90	151,4	50	24	M10x1 10mm tief deep	0,8	127-090-504
90	151,4	65	24	M10x1 10mm tief deep	0,8	127-090-654
90	151,4	80	24	M10x1 10mm tief deep	0,8	127-090-804
100	161,4	50	24	M10x1 10mm tief deep	0,8 / 1,6	127-100-504
100	161,4	65	24	M10x1 10mm tief deep	0,8 / 1,6	127-100-654
100	161,4	80	24	M10x1 10mm tief deep	0,8 / 1,6	127-100-804
110	171,4	50	24	M10x1 10mm tief deep	0,8 / 1,6	127-110-504
110	171,4	65	24	M10x1 10mm tief deep	0,8 / 1,6	127-110-654
110	171,4	80	24	M10x1 10mm tief deep	0,8 / 1,6	127-110-804
120	181,4	50	24	M10x1 10mm tief deep	0,8 / 1,6	127-120-504
120	181,4	65	24	M10x1 10mm tief deep	0,8 / 1,6	127-120-654
120	181,4	80	24	M10x1 10mm tief deep	0,8 / 1,6	127-120-804

Notes:

PU-Lubrication-Roll with spring steel sheet need to be pre-loaded.
Initial operation: PU-Pinions has to be pre-filled with lubricant.

Suitable Tube Connectors for your lubrication system - with and without function - find them on page 26.

On demand: Special design - all parameters disposable!

